

S36II/S36AWII/S36IIPM R/L

Studio™ Series



ACOUSTIC & ELECTRICAL SPECIFICATIONS:

- Nominal Impedance: 8 ohms
- Max Amp Power: 150 watts*
- Frequency Response: 60Hz – 20,000Hz (±3dB)
- Sensitivity: 90dB
- Crossover Frequencies: 650Hz, 3000Hz

SYSTEM COMPONENTS:

- Cabinet: S36II/S36AWII/S36IIPM W/B (Not for Sale)
- Grille S36II: X06581-01B
- Grille S36AWII: X06589
- Grille S36IIPM: 242-060-05007
- High-Frequency Transducer: 1" (25mm) pure-titanium dome, shielded, B18A25DT-03DT (Right), B18A25DT-04DT (Left)
- DC Resistance: 3.4 ohms ±10%
- Midrange Transducer: 4" (101mm) WeatherPlas™, shielded, SS-M4SSII-1
- DC Resistance: 4.0 ohms ±10%
- Low-Frequency Transducer: 6" (152mm) WeatherPlas™, shielded, C16BE90TR-03FW
- DC Resistance: 4.9 ohms ±10%
- S36II/S36AWII Crossover Network: XR0205-L (Left), XR0205-R (Right)
- S36IIPM Crossover Network: 013-AA00-00565 (Left), 013-AA00-00556 (Right)

AURAL SWEEP TEST SPECIFICATIONS:

- System Aural Sweep Test: 6.0V Input 60Hz to 20kHz
- L.F. Aural Sweep Test: 5.0V Input 60Hz to 1kHz
- M.F. Aural Sweep Test: 4.0V Input 500Hz to 4kHz
- H.F. Aural Sweep Test: 2.83V Input 2kHz to 20kHz

PHYSICAL SPECIFICATIONS:

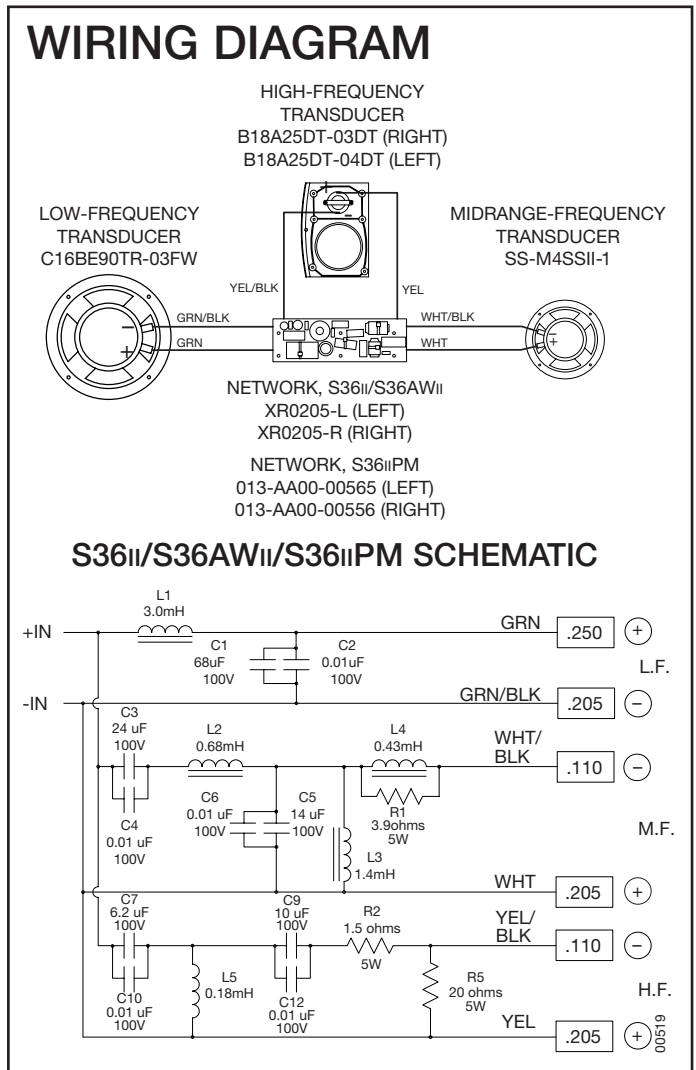
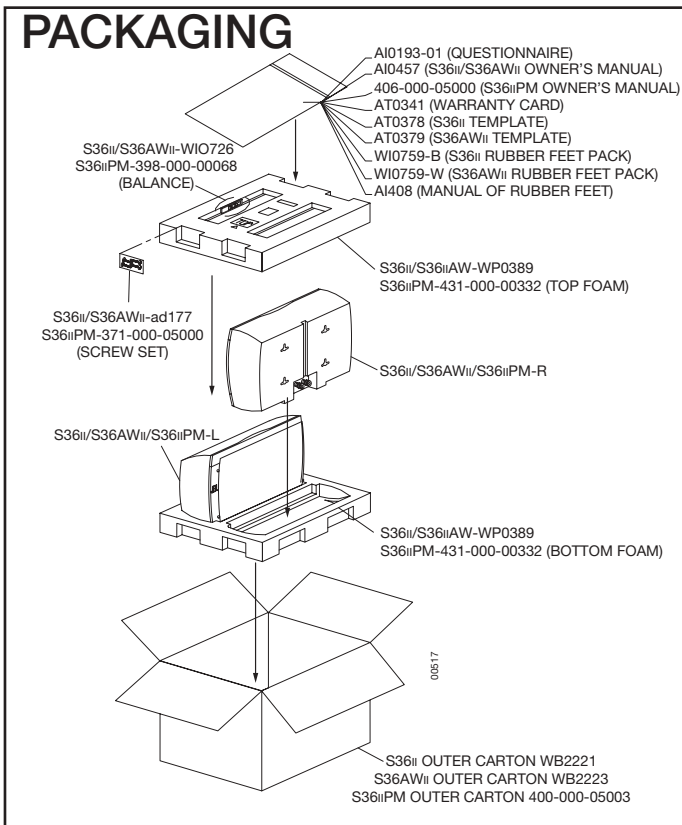
- Enclosure dimensions: 10-1/4" x 14-5/8" x 5" (260mm x 371mm x 127mm)
- Weight: 22 lb/10kg; sold in pairs

WARRANTY:

- Refer to Warranty Statement packed with each product.

* The maximum recommended amplifier power rating will ensure proper system headroom to allow for occasional peaks. We do not recommend sustained operation at these maximum power levels.

S36II/S36AWII/S36IIPM Studio Series

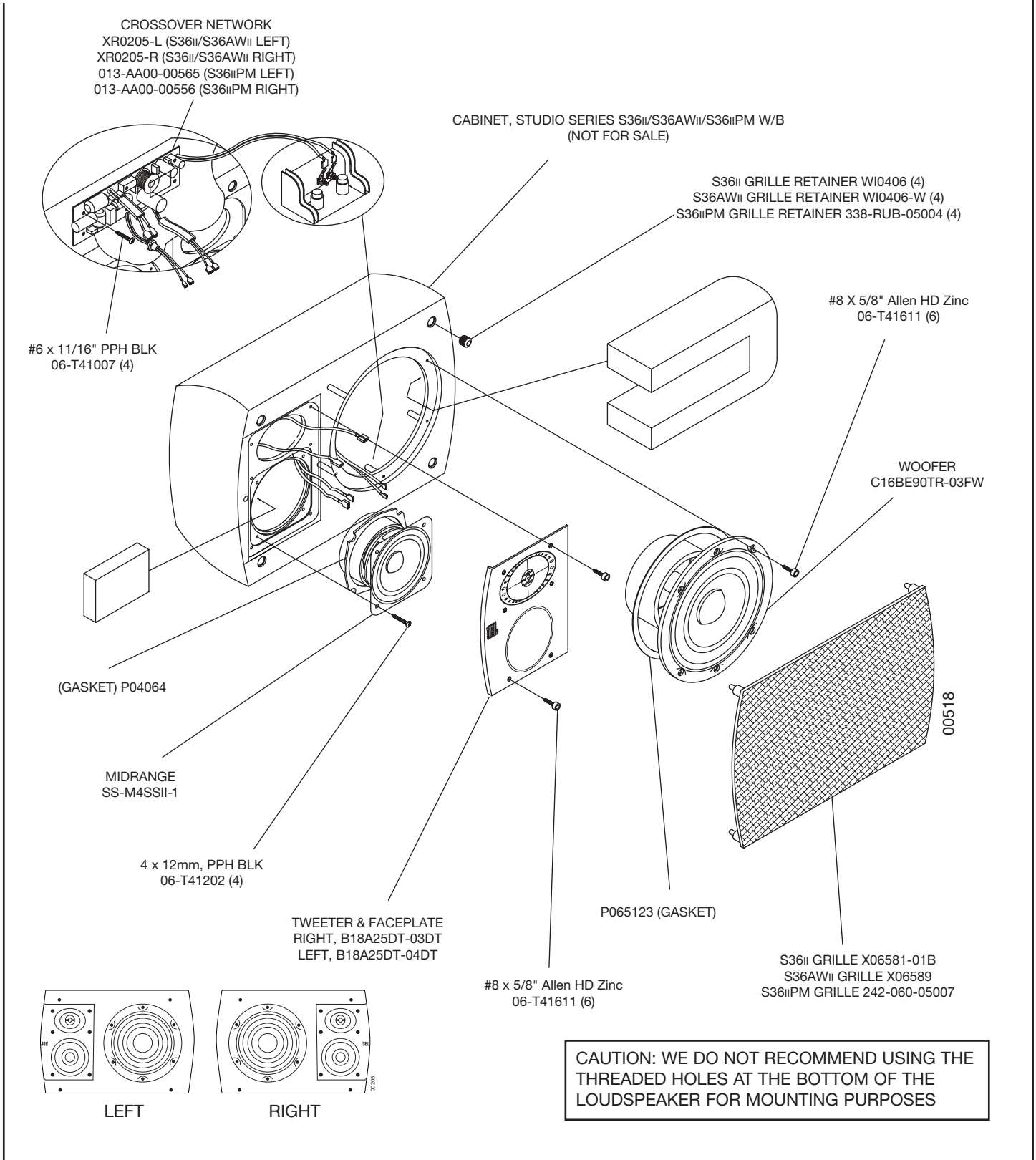


S36II/S36AWII/S36IIPM R/L

Studio™ Series



EXPLODED VIEW



S36II/S36AWII/S36IIPM Studio Series